

BL-200 and BL-210 Door Handle Magnetic Lock



BL-200 (With the exit push button)

BL-210(withot exit push button)



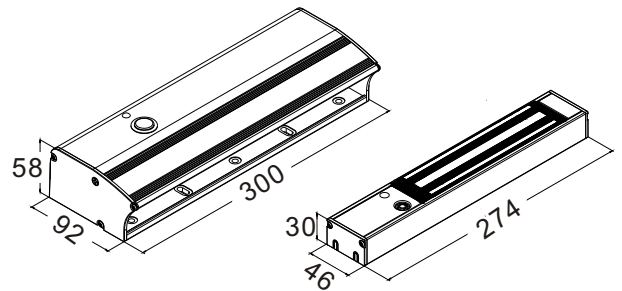
Special features

- Holding force: 600lbs(250Kg).
- Suitable for all types of 90° pull door.
- All-in-one (armature and handle) design.
- Built-in push button and power indicator light. Adjustable door opening time (0~9 seconds.)
- Install at the center of the door leaf to prevent deformation whenever it is locked or unlock.
- External installation without knocking any holes out.
- Standalone operation when power is on and it does not need to be controlled by proximity reader.
- Monitor output with Hall Effect for its stability and high accuracy.

Specification

Power Supply	DC 12V or DC24V ± 15%
Operation current	450mA@12VDC mA ± 10% 235mA@24VDC mA ± 10%
Application	All types of 90° pull door
Holding forces	600lbs(250Kg)
Delay Time	0,3,5,9 Sec.
Open door contact	Photo coupler contact
Lock status sensor	N.C. & N.O. Output (1A@30VDC)
Indicator	Double-colored LED light
Demagnetizer design	Instant demagnetizer when power is off.
Operation temperature	40°C ± 5°C (Room temperature 30°C)
Weight	3000g (included wrapping)

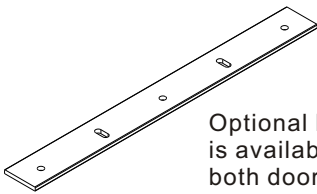
Dimensions



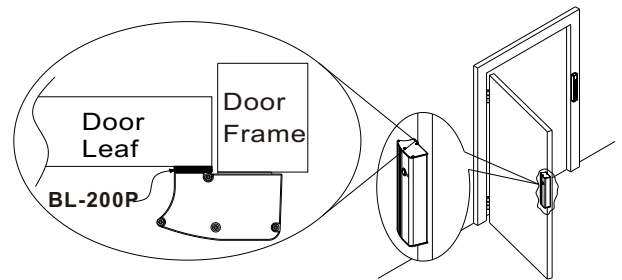
Unit: mm

Related products

BL-200P

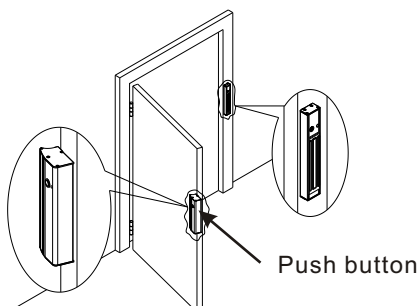


Optional BL-200P plate (thickness of 3.6mm) is available to achieve optimum height of both door frame and door leaf when the unit is installed.



Structure diagram

【 Left opening door 】



【 Right opening door 】

